

### Product Application

The WT wall tie secure clip connects a curtain wall stud to the exterior concrete/masonry wall structure. Designed to resist horizontal and vertical loads, the WT secure clip may be attached to the structure with an approved 1/2" anchor bolt or as specified by the design professional.

### Features and Benefits

- Variety of lengths available
- Thicker steel for improving welded attachments
- Pre-punched guide holes
- Loads based on #12 screws
  - Screws are provided
- Plate washer included for heavy duty applications
- Replaces the expensive traditional method of bracing

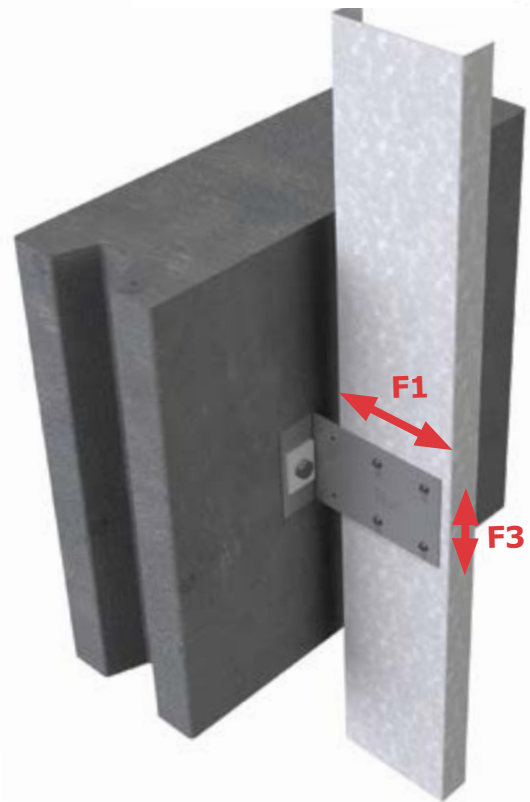
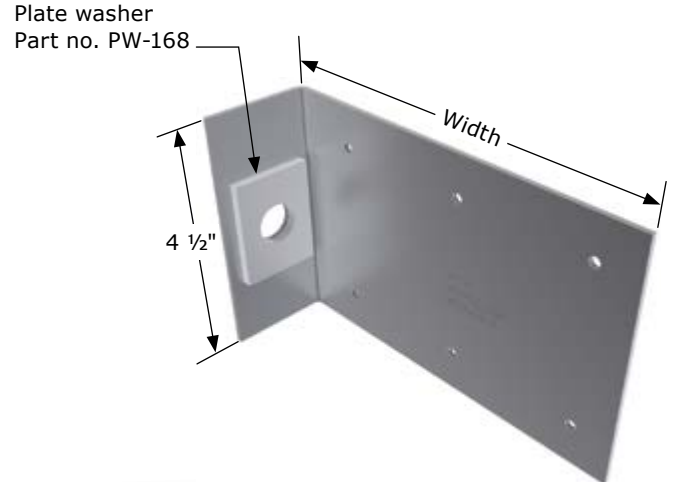
### Material Composition

- Mill certified steel
- ASTM A653/A653M
- Main flange guide holes are 0.220" diameter (#12 fasteners)
- Center guide hole is 0.5625" diameter (1/2" anchor)
- 1 1/4" x 2" plate washer 168 mil with 0.625" hole
- Clip
  - 118 mil material thickness
  - 57 ksi yield strength
  - 65 ksi tensile strength
  - G90 galvanized coating
- Washer
  - 168 mil material thickness
  - 57 ksi yield strength
  - 65 ksi tensile strength
  - G90 galvanized coating

### Quantity / Order Information

Part No.	Width	Qty / Bucket	Lbs / Bucket
WT400	4"	50	50
WT700	7"	35	50
WT1000	10"	25	47

All WT clips include plate washer.



### Allowable Loads

Part No.	Stud Properties			F1 Allowable Loads (lbs)			F3 Allowable Loads (lbs)		
	Mil	Gauge	Fy (ksi)	4 #12 Screws	6 #12 Screws	8 #12 Screws	4 #12 Screws	6 #12 Screws	8 #12 Screws
WT	33EQS	20	57	857	1286	1714	857	1286	1714
	33	20	33	754	1130	1507	754	1130	1507
	43EQS	18	57	1353	2030	2706	1353	2030	2706
	43	18	33	1122	1682	2243	1122	1682	2243
	54	16	50	2278	3010	3010	2278	3010	3010
	68	14	50	3010	3010	3010	3010	3010	3010
	97	12	50	3010	3010	3010	3010	3010	3010
	118	10	50	3010	3010	3010	3010	3010	3010
<b>Maximum Allowable Clip Capacity</b>				<b>Max F1 = 3010 lbs</b>			<b>Max F3 = 3010 lbs</b>		

#### Table Notes

1. Allowable loads have not been increased for wind, seismic activity, or other factors.
2. The allowable loads are based on the steel properties of the members being connected, per AISI S100.
3. The nominal strength of the screw must be at least 3.75 times the allowable loads.
4. Penetration of screws through joined materials should not be less than three exposed threads. Install and tighten screws in accordance with the screw manufacturer's recommendations.
5. Values include a 3.0 factor of safety.
6. Allowable loads indicated on the table(s) are for force in single direction only. The designer shall use the combined forces check as required by AISI S100 if more than one force is applied to the connection.
7. The designer shall check the bending in the short leg of clip.