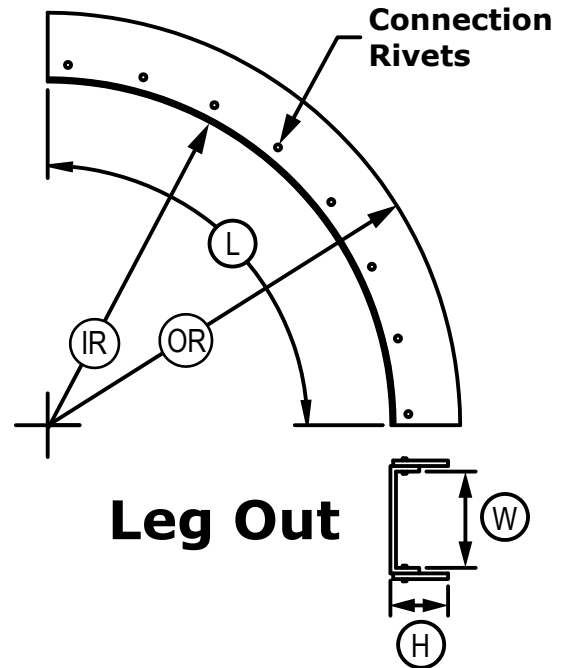
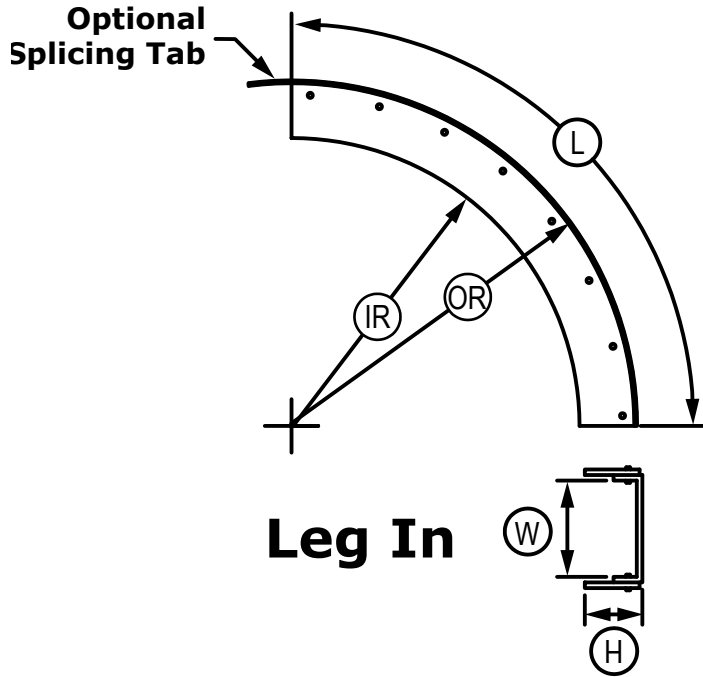


**Customer Info**

Sold To	Job Name
Contact Name and Number	
Customer PO	Order Number

# Arched Track



**Standard Components**

- \*1½" Leg Height (H)
- \*Steel Rivets 4" oc
- \*10' Lengths (12' Max)

Item No.	Leg		Splice Tabs	Welded	No. of Pieces	Thickness (Mil)	Length (L)	Web Depth (W)	Leg Height (H)	Inside Radius (IR)	Outside Radius (OR)	Part No. (Office Use)
	In	Out										
1.	<input type="checkbox"/>	<input type="checkbox"/>										
2.	<input type="checkbox"/>	<input type="checkbox"/>										
3.	<input type="checkbox"/>	<input type="checkbox"/>										
4.	<input type="checkbox"/>	<input type="checkbox"/>										
5.	<input type="checkbox"/>	<input type="checkbox"/>										
6.	<input type="checkbox"/>	<input type="checkbox"/>										

Notes / Special Instructions (To assure accuracy, PLEASE provide plan details. For extended service contact [Technical@SteelConSys.com](mailto:Technical@SteelConSys.com))

Customer Signature	Fax/email this form to your Steel-Con branch or District Sales Manager
--------------------	--