

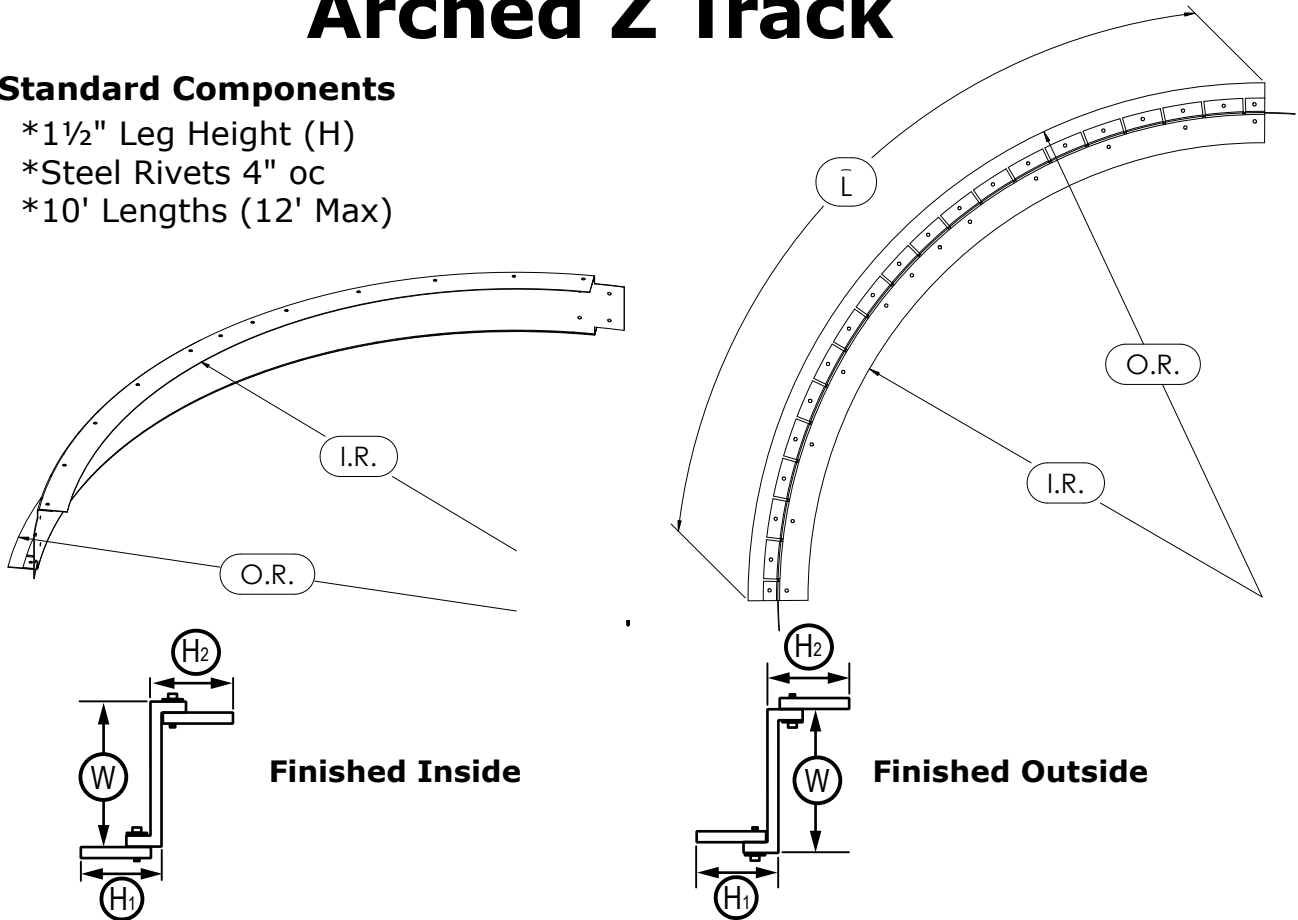
**Customer Info**

Sold To	Job Name
Contact Name and Number	
Customer PO	Order Number

# Arched Z Track

**Standard Components**

- \*1½" Leg Height (H)
- \*Steel Rivets 4" oc
- \*10' Lengths (12' Max)



Item No.	Finish Side		Splice Tabs	Welded	No. of Pieces	Thickness (Mil)	Length (L)	Width (W)	Leg Height (H1)	Leg Height (H2)	Inside Radius (IR)	Outside Radius (OR)	Part No. (Office Use)
	Inside	Outside											
1.													
2.													
3.													
4.													
5.													
6.													

Notes / Special Instructions (To assure accuracy, PLEASE provide plan details. For extended service contact [Technical@SteelConSys.com](mailto:Technical@SteelConSys.com))

Customer Signature

Fax/email this form to your Steel-Con branch or District Sales Manager